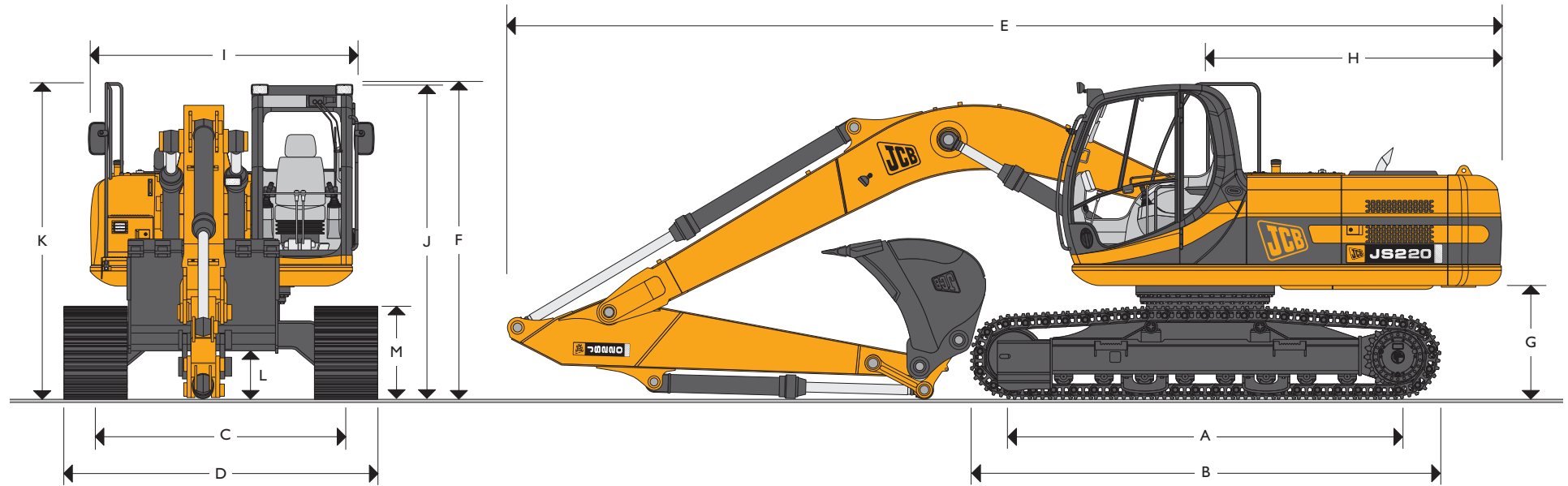




MAX. OPERATING WEIGHT: 22550 kg (49714 lb) NETT ENGINE POWER: 128 kW (172 hp)



STATIC DIMENSIONS – JS220 NC/SC/LC MONOBOOM

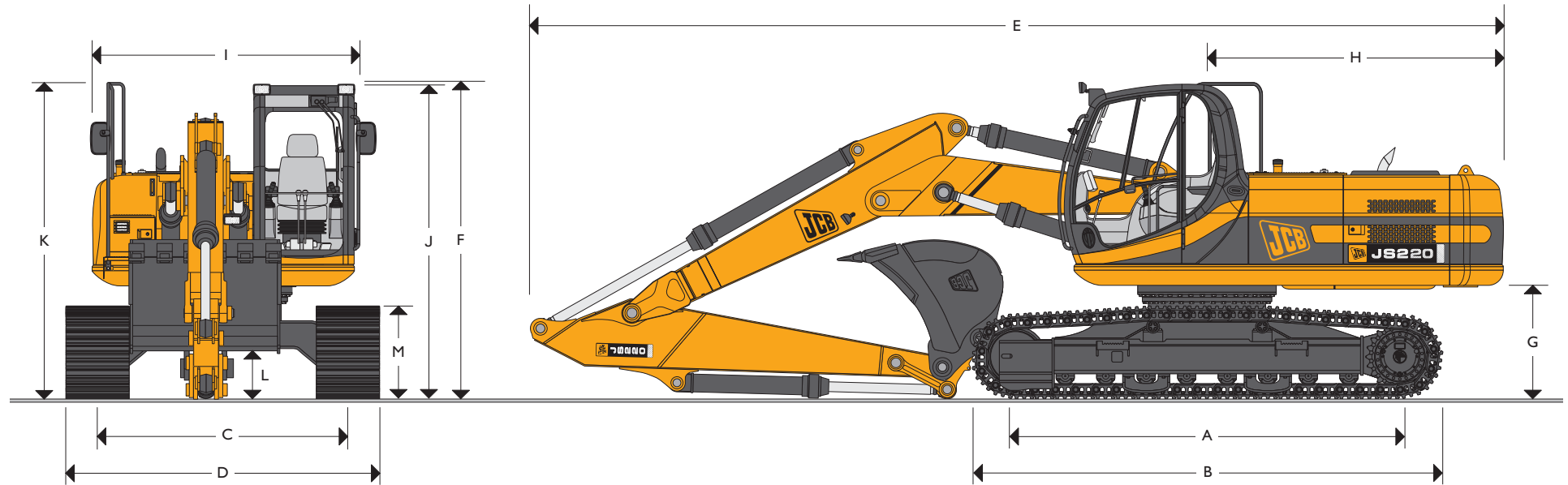
Dimensions in millimetres (ft-in)	NC	SC	LC
A Track length on ground	3370 (11-1)	3370 (11-1)	3660 (12-0)
B Undercarriage overall length	4170 (13-8)	4170 (13-8)	4460 (14-8)
C Track gauge	1990 (6-6)	2200 (7-2)	2390 (7-10)
D Width over tracks (500mm trackshoes)	2490 (8-2)	2700 (8-10)	-
D Width over tracks (600mm trackshoes)	2590 (8-6)	2800 (9-2)	2990 (9-10)
D Width over tracks (700mm trackshoes)	2690 (8-10)	2900 (9-6)	3090 (10-2)
D Width over tracks (800mm trackshoes)	-	-	3190 (10-6)
D Width over tracks (900mm trackshoes)	-	-	3290 (10-10)

Dipper lengths	1.91m (6ft 3in)	2.40m (7ft 10in)	3.0m (9ft 10in)
E Transport length with Monoboom	9570 (31-5)	9560 (31-4)	9440 (31-0)
F Transport height with Monoboom	3055 (10-0)	3060 (10-0)	3025 (9-11)

Dimensions in millimetres (ft-in)	
G Counterweight clearance	1066 (3-6)
H Tailswing radius	2825 (9-3)
I Width of superstructure	2549 (8-4)
J Height over cab	2946 (9-8)
K Height over grab rail	3025 (9-11)
L Ground clearance	486 (1-7)
M Track height	885 (2-11)



MAX. OPERATING WEIGHT: 23450 kg (53683 lb) NETT ENGINE POWER: 128 kW (172 hp)



STATIC DIMENSIONS – JS220 NC/SC/LC T.A.B.

Dimensions in millimetres (ft-in)	NC	SC	LC
A Track length on ground	3370 (11-1)	3370 (11-1)	3660 (12-0)
B Undercarriage overall length	4170 (13-8)	4170 (13-8)	4460 (14-8)
C Track gauge	1990 (6-6)	2170 (7-1)	2390 (7-10)
D Width over tracks (500mm trackshoes)	2490 (8-2)	2670 (8-9)	-
D Width over tracks (600mm trackshoes)	2590 (8-6)	2770 (9-0)	2990 (9-10)
D Width over tracks (700mm trackshoes)	2690 (8-10)	2870 (9-5)	3090 (10-2)
D Width over tracks (800mm trackshoes)	-	-	3190 (10-6)
D Width over tracks (900mm trackshoes)	-	-	3290 (10-10)

Dipper lengths	1.91m (6ft 3in)	2.40m (7ft 10in)	3.0m (9ft 10in)
E Transport length with T.A.B.	9583 (31-6)	9576 (31-5)	9467 (31-1)
F Transport height with T.A.B.	3050 (10-0)	3058 (10-0)	2886 (9-6)

Dimensions in millimetres (ft-in)	
G Counterweight clearance	1066 (3-6)
H Tailswing radius	2825 (9-3)
I Width of superstructure	2550 (8-4)
J Height over cab	2946 (9-8)
K Height over grab rail	3025 (9-11)
L Ground clearance	486 (1-7)
M Track height	885 (2-11)

**ENGINE**

<b>Model</b>	Isuzu 4HK1X. European Tier III emissions compliant.
<b>Type</b>	Water cooled, 4-stroke, 4-cylinder in-line, direct injection, turbocharged diesel.
<b>Nett power (ISO 3046-1NF)</b>	128kW (172hp) at 2000rpm.
<b>Piston Displacement</b>	5.193 litres.
<b>Injection</b>	Electronic governor.
<b>Air Filtration</b>	Dry element with secondary safety element and in cab warning indicator.
<b>Cooling</b>	Water cooler via large capacity radiator.
<b>Starting system</b>	24 volt – 4.5kW.
<b>Batteries</b>	2 x 12 volt Heavy Duty.
<b>Alternator</b>	24 volt 40 amp.
<b>Refuelling pump</b>	Electric type.

**SWING SYSTEM**

<b>Swing motor</b>	Axial piston.
<b>Swing brake</b>	Hydraulic braking plus automatic spring applied disc type parking brake.
<b>Final drive</b>	Planetary reduction.
<b>Swing speed</b>	12.9rpm.
<b>Swing gear</b>	Large diameter; internally toothed fully sealed grease bath lubricated.
<b>Swing lock</b>	Switchable brake in cab.

**UNDERCARRIAGE**

<b>Carriage options</b>	SC-Standard, NC-Narrow and LC-Long Carriage.
<b>Construction</b>	Fully welded, "X" frame type with central bellyguarding and track motor guards. Sloping sidemembers with dirt relief holes under top rollers.
<b>Recovery point</b>	Front and rear.
<b>Track type</b>	Sealed and greased.
<b>Track shoe options</b>	NC & SC – 500mm (20in), 600mm (24in), 700mm (28in). LC – 600mm (24in), 700mm (28in), 800mm (31.5in), 900mm (36in).
<b>Upper &amp; lower rollers</b>	Heat treated, sealed and lubricated.
<b>Track adjustment</b>	Grease cylinder type.
<b>Track idler</b>	Sealed and lubricated, with spring cushioned recoil.
	<b>NC &amp; SC</b> <b>LC</b>
<b>No. of track guides</b>	2 per side                      2 per side
<b>No. of lower rollers</b>	7 per side                      8 per side
<b>No. of upper rollers</b>	2 per side                      2 per side
<b>No. of track shoes</b>	46 per side                      49 per side



## HYDRAULICS

A variable flow load sensing system with flow on demand, variable power output and servo operated, multi-function open centre control. Machine auto warm up standard – maximises performance in cold conditions.

**Pumps**

Main pumps	2 variable displacement axial piston type.
Maximum flow	2 x 214 L/min (2 x 47 UK GPM).
Servo pump	Gear type.
Maximum flow	20 L/min (4.4 UK GPM).

**Control valve**

A combined four and five spool control valve with auxiliary service spool as standard. When required twin pump flow is combined to boom, dipper and bucket services for greater speed and efficiency.

**Relief valve settings**

Boom/Arm/Bucket	343 bar (4975 lbf/sq.in)
Automatic power boost	373 bar (5410 lbf/sq.in)
Swing circuit	289 bar (4190 lbf/sq.in)
Travel circuit	343 bar (4975 lbf/sq.in)
Pilot control	40 bar (580 lbf/sq.in)

A separate Cushion Control valve in the servo system provides cushioning of the boom and dipper spools selection and quick warm-up of the servo system.

**Hydraulic cylinders**

Double acting type, with bolt-up end caps and hardened steel bearing bushes. End cushioning is fitted as standard on boom, dipper and bucket rams.

Optional hose burst check valves available for boom and dipper rams.

**Filtration**

The hydraulic components are protected by the highest standard of filtration to ensure long hydraulic fluid and component life.

In tank	150 micron, suction strainer.
Main return line	10 micron, fibreform element.
Plexus Bypass line	1.5 micron, paper element.
Pilot line	10 micron, paper element.
Hydraulic hammer return	10 micron, reinforced microform element.

**Cooling**

Cooling is provided via a full return line air blast cooler as part of a single face cooling pack in conjunction with the engine water cooler.

## TRACK DRIVE

**Type**

Full hydrostatic, three speed with autoshift between high and medium speed.

**Travel motors**

Variable swash axial piston type, fully guarded within undercarriage frame.

**Final drive**

Planetary reduction, bolt-on sprockets.

**Service brake**

Hydraulic counter balance valve to prevent overspeeding on gradients.

**Park brake**

Disc type, spring applied, automatic hydraulic release.

**Gradeability**

70% (35 deg) continuous.

**Travel speed**

High – 5.6 km/h (3.4 mph).

Mid – 3.3 km/h (2.1 mph).

Low – 2.3 km/h (1.4 mph).

**Tractive effort**

191.9kN (19570 kgf, 43144 lbf).

## EXCAVATOR END – MONOBOOM

Monoboom available along with a choice of dipper lengths to suit the requirements of reach, dig-depth, loadover height, tearouts and site versatility. Reserve strength is built into the fully welded structures for hydraulic hammer and other arduous operations.

Fabricated bucket tipping links are provided with a choice of lift points.

Strong, durable construction, large cross sections and multi plate fabrications to withstand high stress applications.

The 5.7m (18ft 8in) boom is designed to ensure the optimum digging envelope when matched with the three dipper lengths.

Low maintenance bronze alloy bushes with graphite plugs are fitted to boom base and boom to dipper pivots resulting in 1000 hour greasing intervals at these points.

## EXCAVATOR END – T.A.B.

Triple articulated boom available along with a choice of dipper lengths to suit the requirements of reach, dig-depth, loadover height, tearouts and site versatility. Reserve strength is built into the fully welded structures for hydraulic hammer and other arduous operations.

Fabricated bucket tipping links are provided with a choice of lift points.

Strong, durable construction, large cross sections and multi plate fabrications to withstand high stress applications.

The boom is designed to ensure the optimum digging envelope when matched with the three dipper lengths.



## CAB

Excellent digging, loading and positioning visibility results from the careful design of front, side and roof lights. All screens are tinted to improve in cab conditions.

Fully opening front screen is very smooth to operate and as the lower screen is stored within the top screen frame it makes complete front screen opening easy, fast and convenient.

Fresh air ventilation available from opening door window, opening slot in front screen and fully opening front screen.

Parallelogram wash wiper for upper screen ensuring good wiped area for maximum visibility. Wiper motor is fitted in the left hand side of the roof screen so as not to affect bucket visibility when loading. Optional lower screen wiper available.

Fresh air ventilation and heater with windscreen demister. Infinitely variable blower speed, temperature and recirculation control.

Optional climate control. Fully adjustable deluxe suspension seat with arm rest adjustment and backrest recline. Optional radio with digital tuner fitted into the roof lining for maximum protection. Conveniently placed radio mute button incorporated into lower console. 12v power point and mobile phone holder built into the right hand console. Courtesy light can be operated from ground level and is illuminated for five minutes or until switched off improving operator access at night. Cab mounted roller blind protects operator from suns' glare through front or top screens.

## AMS – ADVANCED MANAGEMENT SYSTEM

Four selectable working modes link the operators control movements with the engine and hydraulic systems to maximise productivity and efficiency.

### A (Auto)

Up to 100% engine power and 100% flow. Gives variable power and speed depending on the operator's input, matching the demand for output and efficiency to the job. Power boost is automatically activated in this mode should hard conditions be encountered. Auto idle cuts in after a period of inactivity (between 5 and 30 seconds as set by the operator)

### E (Economy)

80% engine power: 95% of hydraulic flow maximises economy while maintaining excellent output.

### P (Precision)

55% engine power: 90% of hydraulic flow for fine control of grading operations.

### L (Lifting)

55% engine power: 63% of hydraulic flow with permanent power boost for maximum lifting power and control.

The Auto mode allows the AMS processor to select the optimum operational performance to match the demands of the job while the three alternative modes give precise matching of application when specific tasks are undertaken.

The adjustable position monitor mounted on the front right hand pillar of the cab gives the operator a constant read out of mode, tracking range, operating temperature and a host of other information, while retaining excellent visibility of the monitor and the job being carried out.

The required flow for hammer applications can be set and stored in the AMS memory and is automatically activated whenever the hammer pedal is depressed.

A maintenance indicator warns of imminent service needs, and all servicing and basic checks can be carried out using only the in cab display.



### CONTROLS

<b>Excavator</b>	All servo lever operated to ISO control pattern, independently adjustable to the seat.
<b>Tracks</b>	Individually servo operated by foot pedal or hand lever. Speed selection via joystick button.
<b>Auxiliary</b>	Via servo operated foot pedal.
<b>Control isolation</b>	Via gate lock lever at cab entrance or panel switch.
<b>Engine speed</b>	Dial type throttle control plus servo lever mounted one-touch idle control or separate selectable auto-idle with adjustable time delay using AMS.
<b>Engine stop</b>	Ignition key operated and separate shut-down button.
<b>Horn</b>	Operated via servo lever mounted button.

### SERVICE CAPACITIES

	litres (UK gal)	
Fuel tank		343 (75.5)
Engine coolant		25.5 (5.61)
Engine oil		21.5 (4.7)
Swing reduction gear		5.0 (1.1)
Track reduction gear (each side)		4.7 (1.0)
Hydraulic system		200 (44)
Hydraulic tank		120 (26.4)

### WEIGHTS AND GROUND BEARING PRESSURES

Figures include 1.14cu.m. bucket (760kg (1675lbs), operator, full fuel tank, 600mm track shoes and 2.4m dipper.

MONOBOOM		500mm shoes	600mm shoes	700mm shoes	800mm shoes	900mm shoes
<b>JS220NC</b>						
Machine weight	kg (lb)	21144 (46615)	21396 (47170)	21648 (47725)	–	–
Ground bearing pressure	kg/cm (lb/ft <sup>2</sup> )	0.51 (7.25)	0.43 (6.11)	0.37 (5.26)	–	–
<b>JS220SC</b>						
Machine weight	kg (lb)	21227 (46800)	21479 (47350)	21731 (47900)	–	–
Ground bearing pressure	kg/cm (lb/ft <sup>2</sup> )	0.51 (7.25)	0.43 (6.11)	0.37 (5.26)	–	–
<b>JS220LC</b>						
Machine weight	kg (lb)	–	21904 (48290)	22172 (48880)	22440 (49470)	22490 (49580)
Ground bearing pressure	kg/cm (lb/ft <sup>2</sup> )	–	0.41 (5.83)	0.36 (5.12)	0.31 (4.41)	0.28 (3.98)

T.A.B.		500mm shoes	600mm shoes	700mm shoes	800mm shoes	900mm shoes
<b>JS220NC</b>						
Machine weight	kg (lb)	22194 (48930)	22446 (49485)	22698 (50040)	–	–
Ground bearing pressure	kg/cm (lb/ft <sup>2</sup> )	0.53 (7.54)	0.45 (6.40)	0.39 (5.55)	–	–
<b>JS220SC</b>						
Machine weight	kg (lb)	22277 (49110)	22529 (29665)	22781 (50225)	–	–
Ground bearing pressure	kg/cm (lb/ft <sup>2</sup> )	0.53 (7.54)	0.45 (6.40)	0.39 (5.55)	–	–
<b>JS220LC</b>						
Machine weight	kg (lb)	–	22954 (50604)	23222 (51195)	23490 (51780)	23540 (51895)
Ground bearing pressure	kg/cm (lb/ft <sup>2</sup> )	–	0.43 (6.11)	0.37 (5.26)	0.33 (4.70)	0.29 (4.12)



## GENERAL PURPOSE EXCAVATOR BUCKETS

All buckets are JCB – Escó type fully welded steel, with sealed, hardened steel pivot pins and replaceable wear parts.

Max Width	Capacity (SAE heaped)	Weight
600mm (24in.)	0.40cu.m (0.52cu.yd)	484kg (1067lb)
900mm (36in.)	0.71 cu.m (0.93cu.yd)	595kg (1312lb)
1000mm (39in.)	0.81 cu.m (1.06cu.yd)	627kg (1382lb)
1200mm (47in.)	1.03cu.m (1.35cu.yd)	705kg (1555lb)
1350mm (53in.)	1.05cu.m (1.37cu.yd)	679kg (1497lb)
1450mm (57in.)	1.14cu.m (1.49cu.yd)	720kg (1588lb)
1500mm (59in.)	1.19cu.m (1.56cu.yd)	734kg (1618lb)

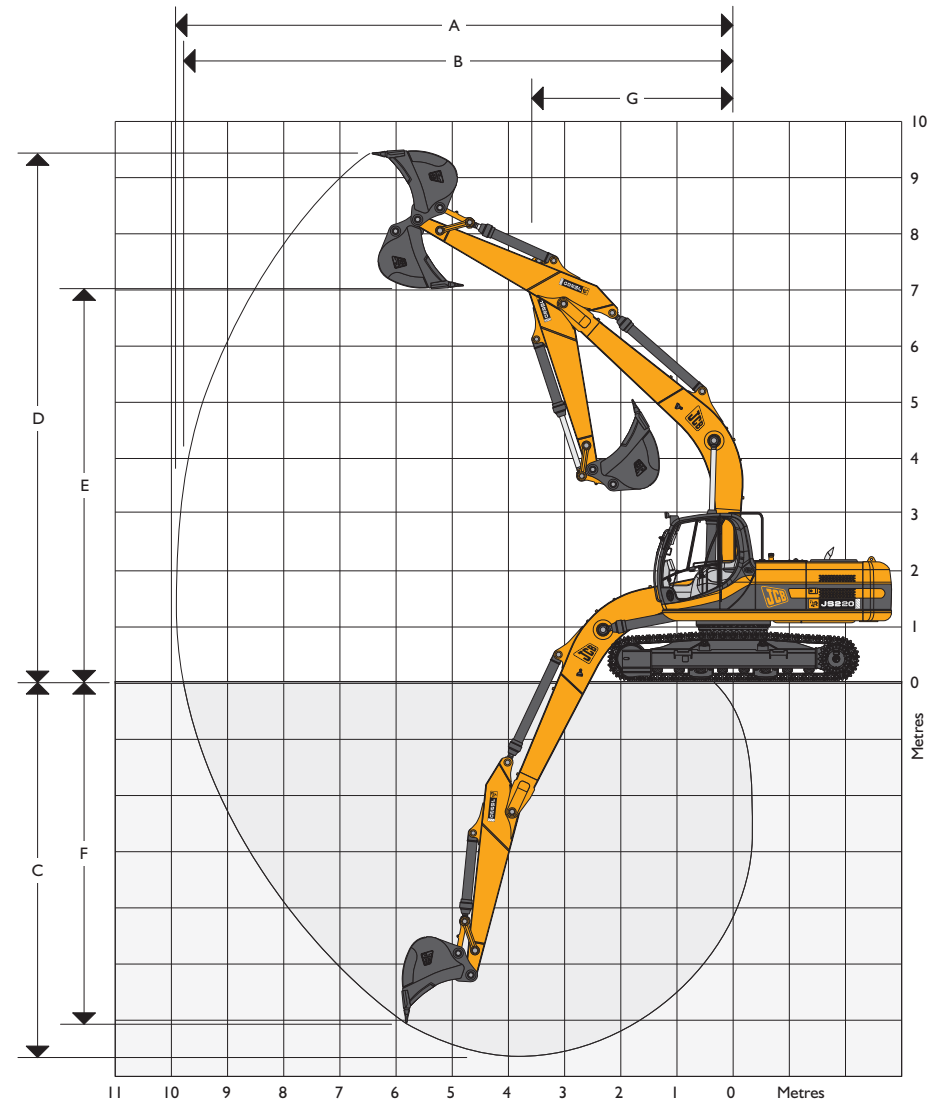
## STANDARD / OPTIONAL EQUIPMENT

**Standard Equipment:** Engine fan guard; Cold start pre-heat; Auto engine warm up; Double element air cleaner; Electric refuelling pump; Heavy duty alternator; Electrics isolator; Heavy duty batteries; Cab & engine soundproofing; Cab heater & screen demister; Tinted glass; Interior light; Coat hook; Cigarette lighter; Ashtray; Operator's storage shelf; Removable floor mat; Windscreen wash/wipe; Plug-in power socket; Automatic power boost; Auto-idle; One-touch engine speed control; Hydraulic cushion control; Boom/swing priority switch; Plexus hydraulic oil filtration; HSP pressure test points; Auxiliary pipework mounting brackets; Work lights – boom & mainframe mounted; Undercarriage belly guarding; Upper structure under covers; Swing system cover; Twin track guides; External mirrors; Handrail & non slip walk ways; Quick connect engine oil drain pipe; Front screen blind; Quick connect fuel tank drain pipe; Hinged engine under cover; Remote filter system.

**Optional Equipment:** Hose burst check valves & overload warning system; Tipping link mounted lift points; General purpose buckets; Ditch/grading buckets; Quickhitch buckets; Hydraulic hammers; Auxiliary pipework (full and low flow); Climate control; Cab mounted & rear work lights; Rotating beacon; Rain guard; Biodegradable oil; Air suspension seat with heated pad and lumbar support adjustment; lower screen wiper; Radio; High and low temperature hydraulic oil option.

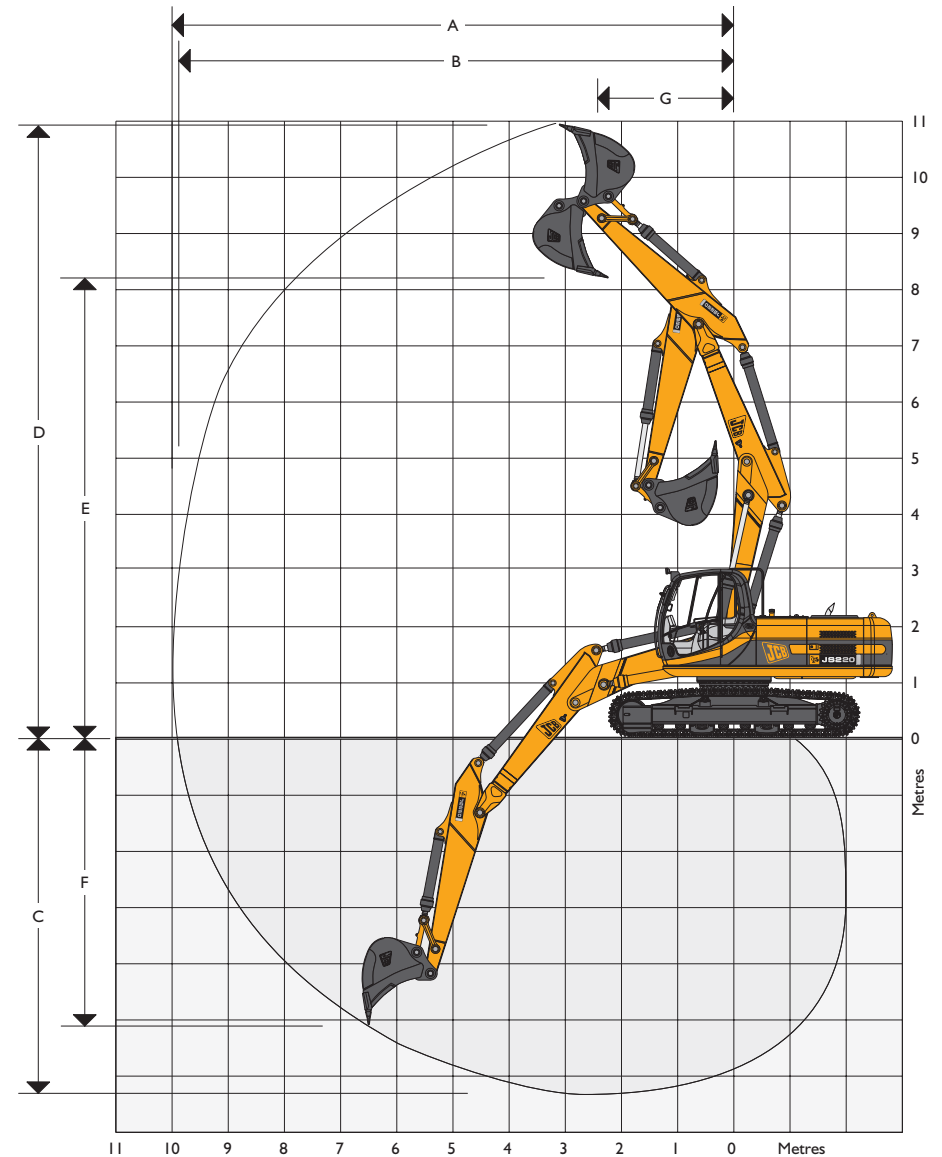
## WORKING RANGE – JS220 NC/SC/LC MONOBOOM

Boom length 5.70m (18ft 8in)		1.91m (6ft 3in)	2.40m (7ft 10in)	3.00m (9ft 10in)	
<b>Dipper length</b>					
<b>A</b>	Maximum digging reach	m (ft-in)	8.89 (29-2)	9.34 (30-8)	9.87 (32-5)
<b>B</b>	Maximum digging reach (on ground)	m (ft-in)	8.70 (28-7)	9.16 (30-1)	9.70 (31-10)
<b>C</b>	Maximum digging depth	m (ft-in)	5.53 (18-2)	6.02 (19-9)	6.60 (21-8)
<b>D</b>	Maximum digging height	m (ft-in)	8.95 (29-4)	9.20 (30-2)	9.40 (30-10)
<b>E</b>	Maximum dumping height	m (ft-in)	6.31 (20-8)	6.53 (21-5)	6.75 (22-2)
<b>F</b>	Maximum vertical wall cut depth	m (ft-in)	4.90 (16-1)	5.47 (17-11)	6.07 (19-11)
<b>G</b>	Minimum swing radius	m (ft-in)	3.76 (12-4)	3.71 (12-2)	3.60 (11-10)
	Bucket rotation	deg.	183°	183°	183°
	Dipper tearout (ISO 6015)	kgf (lbf)	13450 (29650)	11560 (25485)	9590 (21142)
	Dipper tearout with boost (ISO 6015)	kgf (lbf)	14610 (32210)	12550 (27670)	10410 (22950)
	Bucket tearout (ISO 6015)	kgf (lbf)	14550 (32080)	14550 (32080)	14550 (32080)
	Bucket tearout with boost (ISO 6015)	kgf (lbf)	15800 (34835)	15800 (34835)	15800 (34835)



## WORKING RANGE – JS220 NC/SC/LC T.A.B.

Boom length 5.70m (18ft 8in)		1.91m (6ft 3in)	2.40m (7ft 10in)	3.00m (9ft 10in)	
<b>Dipper length</b>					
<b>A</b>	Maximum digging reach	m (ft-in)	9.00 (29-6)	9.44 (31-0)	9.98 (32-9)
<b>B</b>	Maximum digging reach (on ground)	m (ft-in)	8.81 (28-11)	9.26 (30-5)	9.81 (32-2)
<b>C</b>	Maximum digging depth	m (ft-in)	5.29 (17-4)	5.77 (18-11)	6.35 (20-10)
<b>D</b>	Maximum digging height	m (ft-in)	10.20 (33-6)	10.54 (34-7)	10.91 (35-10)
<b>E</b>	Maximum dumping height	m (ft-in)	7.31 (24-0)	7.65 (25-1)	8.01 (26-3)
<b>F</b>	Maximum vertical wall cut depth	m (ft-in)	4.04 (13-3)	4.54 (14-11)	5.12 (16-10)
<b>G</b>	Minimum swing radius	m (ft-in)	2.50 (8-2)	2.55 (8-4)	2.29 (7-6)
	Bucket rotation	deg.	183°	183°	183°
	Dipper tearout (ISO 6015)	kgf (lbf)	13450 (29650)	11560 (25485)	9590 (21142)
	Dipper tearout with boost (ISO 6015)	kgf (lbf)	14610 (32210)	12550 (27670)	10410 (22950)
	Bucket tearout (ISO 6015)	kgf (lbf)	14550 (32080)	14550 (32080)	14550 (32080)
	Bucket tearout with boost (ISO 6015)	kgf (lbf)	15800 (34835)	15800 (34835)	15800 (34835)



**LIFT CAPACITIES – Dipper length: 1.9m, Monoboom 5.7m, Trackshoes: 500mm, No bucket.**
**JS220 NC MONO**

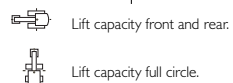
Reach	3m (9ft 10in)		4.5m (14ft 9in)		6m (19ft 8in)		7.5m (24ft 7in)		Max. Reach		Max. Reach
Load Point Ht.	kg	kg	kg	kg	kg	kg	kg	kg	kg	kg	mm
6.0m (19.8ft)					6380*	4750			5720*	4620	6105
4.5m (14.9ft)			8020*	7030	6720*	4650			5700*	3770	6907
3.0m (9.10ft)			9870*	6550	7250	4470			5410	3380	7318
1.5m (4.11ft)			10850	6210	7060	4290			5230	3260	7406
0m			10720	6110	6950	4200			5420	3350	7182
- 1.5m (- 4.11ft)	13010*	11410	10750	6130	6940	4190			6080	3720	6614
- 3.0m (- 9.10ft)	12760*	11580	9650*	6270					7600*	4710	5596

**LIFT CAPACITIES – Dipper length: 2.4m, Monoboom 5.7m, Trackshoes: 500mm, No bucket.**
**JS220 NC MONO**

Reach	3m (9ft 10in)		4.5m (14ft 9in)		6m (19ft 8in)		7.5m (24ft 7in)		Max. Reach		Max. Reach
Load Point Ht.	kg	kg	kg	kg	kg	kg	kg	kg	kg	kg	mm
7.5m (24.7ft)									5230*	5230*	5547
6.0m (19.8ft)					5810*	4840			4790*	3990	6767
4.5m (14.9ft)			7330*	7150	6290*	4710			4690	3360	7497
3.0m (9.10ft)			9230*	6680	7110*	4510	5240	3290	4800*	3060	7878
1.5m (4.11ft)			10820*	6290	7080	4320	5140	3200	4730	2950	7959
0m			10740	6120	6940	4190	5080	3150	4860	3020	7751
- 1.5m (- 4.11ft)	10850*	10850*	10710	6090	6900	4160			5340	3300	7229
- 3.0m (- 9.10ft)	14090*	11440	10270*	6180	6980	4230			6250	3980	6313
- 4.5m (- 14.9ft)			7500*	6440					6850	5960	4777

**LIFT CAPACITIES – Dipper length: 3.0m, Monoboom 5.7m, Trackshoes: 500mm, No bucket.**
**JS220 NC MONO**

Reach	3m (9ft 10in)		4.5m (14ft 9in)		6m (19ft 8in)		7.5m (24ft 7in)		Max. Reach		Max. Reach
Load Point Ht.	kg	kg	kg	kg	kg	kg	kg	kg	kg	kg	mm
7.5m (24.7ft)					4350*	4350*			3440*	3440*	6285
6.0m (19.8ft)					5170*	4930			3210*	3210*	7382
4.5m (14.9ft)					5740*	4780	5190*	3410	3160*	3040	8056
3.0m (9.10ft)	11580*	11580*	8380*	6820	6630*	4560	5270	3310	3230*	2780	8411
1.5m (4.11ft)			10200*	6370	7120	4340	5150	3200	3430*	2690	8488
0m	6400*	6400*	10750	6120	6940	4180	5060	3120	3800*	2730	8293
- 1.5m (- 4.11ft)	10510*	10510*	10650	6040	6860	4110	5030	3090	4470*	2940	7807
- 3.0m (- 9.10ft)	15320*	11230	10700	6080	6880	4130			5600	3440	6969
- 4.5m (- 14.9ft)	12460*	11530	8920*	6250					6760*	4670	5619


**Notes:**

- For lifting capacity including bucket, subtract total weight of bucket or bucket and quickhitch from above values.
- Lifting capacities are based on ISO 10567, that is: 75% of minimum tipping load or 87% of hydraulic lift capacity, whichever is the less. Lifting capacities marked\* are based on hydraulic capacity.
- Lift capacities assume that the machine is on firm, level ground.
- Lift capacities may be limited by local regulations. Please refer to your dealer.

**LIFT CAPACITIES – Dipper length: 1.9m, Monoboom 5.7m, Trackshoes: 600mm, No bucket.**
**JS220 SC MONO**

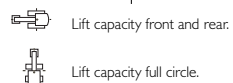
Reach	3m (9ft 10in)		4.5m (14ft 9in)		6m (19ft 8in)		7.5m (24ft 7in)		Max. Reach		Max. Reach
Load Point Ht.	kg	kg	kg	kg	kg	kg	kg	kg	kg	kg	mm
6.0m (19.8ft)					6380*	5250			5720*	5100	6105
4.5m (14.9ft)			8020*	7820	6720*	5140			5700*	4170	6907
3.0m (9.10ft)			9870*	7320	7340	4950			5480	3750	7318
1.5m (4.11ft)			10990	6980	7150	4780			5300	3610	7406
0m			10860	6870	7040	4680			5490	3720	7182
- 1.5m (- 4.11ft)	13010*	13010*	10890	6890	7040	4680			6160	4140	6614
- 3.0m (- 9.10ft)	12760*	12760*	9650*	7030					7600*	5250	5596

**LIFT CAPACITIES – Dipper length: 2.4m, Monoboom 5.7m, Trackshoes: 600mm, No bucket.**
**JS220 SC MONO**

Reach	3m (9ft 10in)		4.5m (14ft 9in)		6m (19ft 8in)		7.5m (24ft 7in)		Max. Reach		Max. Reach
Load Point Ht.	kg	kg	kg	kg	kg	kg	kg	kg	kg	kg	mm
7.5m (24.7ft)									5230*	5230*	5547
6.0m (19.8ft)					5810*	5330			4790*	4400	6767
4.5m (14.9ft)			7330*	7330*	6290*	5200			4690*	3710	7497
3.0m (9.10ft)			9230*	7460	7110*	4990	5310	3640	4800*	3380	7878
1.5m (4.11ft)			10820*	7060	7180	4800	5210	3550	4790	3270	7959
0m			10880	6880	7040	4670	5150	3490	4930	3350	7751
- 1.5m (- 4.11ft)	10850*	10850*	10850	6860	7000	4640			5240	3670	7229
- 3.0m (- 9.10ft)	14090*	13140	10270*	6950	7080	4710			6610	4430	6313
- 4.5m (- 14.9ft)			7500*	7210					6850*	6660	4777

**LIFT CAPACITIES – Dipper length: 3.0m, Monoboom 5.7m, Trackshoes: 600mm, No bucket.**
**JS220 SC MONO**

Reach	3m (9ft 10in)		4.5m (14ft 9in)		6m (19ft 8in)		7.5m (24ft 7in)		Max. Reach		Max. Reach
Load Point Ht.	kg	kg	kg	kg	kg	kg	kg	kg	kg	kg	mm
7.5m (24.7ft)					4350*	4350*			3440*	3440*	6285
6.0m (19.8ft)					5170*	5170*			3210*	3210*	7382
4.5m (14.9ft)					5740*	5270	5190*	3760	3160*	3160*	8056
3.0m (9.10ft)	11580*	11580*	8380*	7610	6630*	5050	5340	3670	3230*	3080	8411
1.5m (4.11ft)			10200*	7140	7210	4830	5220	3560	3430*	2990	8488
0m	6400*	6400*	10890	6880	7030	4660	5130	3470	3800*	3040	8293
- 1.5m (- 4.11ft)	10510*	10510*	10790	6800	6950	4590	5090	3440	4470*	3270	7807
- 3.0m (- 9.10ft)	15320*	12920	10770*	6840	6980	4610			5680	3820	6969
- 4.5m (- 14.9ft)	12460*	12460*	8920*	7020					6760*	5210	5619



- Notes:**
- For lifting capacity including bucket, subtract total weight of bucket or bucket and quickhitch from above values.
  - Lifting capacities are based on ISO 10567, that is: 75% of minimum tipping load or 87% of hydraulic lift capacity, whichever is the less. Lifting capacities marked\* are based on hydraulic capacity.
  - Lift capacities assume that the machine is on firm, level ground.
  - Lift capacities may be limited by local regulations. Please refer to your dealer.

**LIFT CAPACITIES – Dipper length: 1.9m, Monoboom 5.7m, Trackshoes: 700mm, No bucket.**
**JS220 LC MONO**

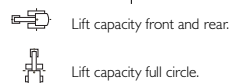
Reach	3m (9ft 10in)		4.5m (14ft 9in)		6m (19ft 8in)		7.5m (24ft 7in)		Max. Reach		Max. Reach
Load Point Ht.	kg	kg	kg	kg	kg	kg	kg	kg	kg	kg	mm
6.0m (19.8ft)					6380*	5800			5720*	5640	6105
4.5m (14.9ft)			8020*	8020*	6720*	5700			5700*	4610	6907
3.0m (9.10ft)			9870*	8200	7470*	5500			5980*	4160	7318
1.5m (4.11ft)			11210*	7840	8160	5320			6010	4010	7406
0m			11510*	7730	8050	5220			6230	4140	7182
- 1.5m (- 4.11ft)	13010*	13010*	11040*	7750	8040	5220			7010	4610	6614
- 3.0m (- 9.10ft)	12760*	12760*	9650*	7900					7600*	5850	5596

**LIFT CAPACITIES – Dipper length: 2.4m, Monoboom 5.7m, Trackshoes: 700mm, No bucket.**
**JS220 LC MONO**

Reach	3m (9ft 10in)		4.5m (14ft 9in)		6m (19ft 8in)		7.5m (24ft 7in)		Max. Reach		Max. Reach
Load Point Ht.	kg	kg	kg	kg	kg	kg	kg	kg	kg	kg	mm
7.5m (24.7ft)									5230*	5230*	5547
6.0m (19.8ft)					5810*	5810*			4790*	4790*	6767
4.5m (14.9ft)			7330*	7330*	6290*	5750			4690*	4110	7497
3.0m (9.10ft)			9230*	8330	7110*	5540	6010	4040	4800*	3750	7878
1.5m (4.11ft)			10820*	7930	7930*	5340	5910	3950	5120*	3640	7959
0m			11480*	7740	8040	5220	5840	3890	5580	3730	7751
- 1.5m (- 4.11ft)	10850*	10850*	11300*	7720	8000	5180			6150	4080	7229
- 3.0m (- 9.10ft)	14090*	14090*	10270*	7810	7560*	5250			6980*	4930	6313
- 4.5m (- 14.9ft)			7500*	7500*					6850*	6850*	4777

**LIFT CAPACITIES – Dipper length: 3.0m, Monoboom 5.7m, Trackshoes: 700mm, No bucket.**
**JS220 LC MONO**

Reach	3m (9ft 10in)		4.5m (14ft 9in)		6m (19ft 8in)		7.5m (24ft 7in)		Max. Reach		Max. Reach
Load Point Ht.	kg	kg	kg	kg	kg	kg	kg	kg	kg	kg	mm
7.5m (24.7ft)					4350*	4350*			3440*	3440*	6285
6.0m (19.8ft)					5170*	5170*			3210*	3210*	7382
4.5m (14.9ft)					5740*	5740*			3160*	3160*	8056
3.0m (9.10ft)	11580*	11580*	8380*	8380*	6630*	5600	5190*	4160	3230*	3230*	8411
1.5m (4.11ft)			10200*	8010	7560*	5370	5920	3950	3430*	3320	8488
0m	6400*	6400*	11240*	7740	8040	5210	5820	3860	3800*	3380	8293
- 1.5m (- 4.11ft)	10510*	10510*	11410*	7660	7960	5130	5790	3830	4470*	3650	7807
- 3.0m (- 9.10ft)	15320*	14880	10770*	7700	7980	5160			5790*	4260	6969
- 4.5m (- 14.9ft)	12460*	12460*	8920*	7890					6760*	5810	5619



- Notes:**
- For lifting capacity including bucket, subtract total weight of bucket or bucket and quickhitch from above values.
  - Lifting capacities are based on ISO 10567, that is: 75% of minimum tipping load or 87% of hydraulic lift capacity, whichever is the less. Lifting capacities marked\* are based on hydraulic capacity.
  - Lift capacities assume that the machine is on firm, level ground.
  - Lift capacities may be limited by local regulations. Please refer to your dealer.

**LIFT CAPACITIES – Dipper length: 1.9m, T.A. Boom 5.7m, Trackshoes: 500mm, No bucket.**
**JS220 NC T.A.B.**

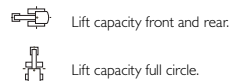
Reach	3m (9ft 10in)		4.5m (14ft 9in)		6m (19ft 8in)		7.5m (24ft 7in)		Max. Reach		Max. Reach
Load Point Ht.	kg	kg	kg	kg	kg	kg	kg	kg	kg	kg	mm
7.5m (24.7ft)									6350*	6350*	4193
6.0m (19.8ft)			7250*	7250*					5890	5170	5715
4.5m (14.9ft)	11970*	11970*	8350*	7170	7030*	4690			5960*	4080	6565
3.0m (9.10ft)			9980*	6630	7320	4480			5800	3590	6998
1.5m (4.11ft)			10920	6210	7090	4280			5570	3420	7089
0m			10710	6030	6940	4150			5760	3500	6855
- 1.5m (- 4.11ft)	13950*	11140	10660*	6020	6920	4130			6530	3920	6256
- 3.0m (- 9.10ft)			8840*	6160					7590*	5130	5167

**LIFT CAPACITIES – Dipper length: 2.4m, T.A. Boom 5.7m, Trackshoes: 500mm, No bucket.**
**JS220 NC T.A.B.**

Reach	3m (9ft 10in)		4.5m (14ft 9in)		6m (19ft 8in)		7.5m (24ft 7in)		Max. Reach		Max. Reach
Load Point Ht.	kg	kg	kg	kg	kg	kg	kg	kg	kg	kg	mm
7.5m (24.7ft)									5300*	5300*	5080
6.0m (19.8ft)			6580*	6580*	6250*	4890			4890*	4400	6391
4.5m (14.9ft)	10330*	10330*	7710*	7320	6600*	4760			4850*	3610	7160
3.0m (9.10ft)			9400*	6780	7320*	4540	5250	3270	5040*	3230	7558
1.5m (4.11ft)			10830*	6310	7130	4310	5150	3170	5010	3090	7643
0m	6700*	6700*	10740	6060	6950	4160			5140	3140	7426
- 1.5m (- 4.11ft)	13480*	11020	10660	6000	6880	4090			5690	3450	6879
- 3.0m (- 9.10ft)	13060*	11200	9630*	6070					7040*	4250	5907

**LIFT CAPACITIES – Dipper length: 3.0m, T.A. Boom 5.7m, Trackshoes: 500mm, No bucket.**
**JS220 NC T.A.B.**

Reach	3m (9ft 10in)		4.5m (14ft 9in)		6m (19ft 8in)		7.5m (24ft 7in)		Max. Reach		Max. Reach
Load Point Ht.	kg	kg	kg	kg	kg	kg	kg	kg	kg	kg	mm
7.5m (24.7ft)									3530*	3530*	5811
6.0m (19.8ft)					5440*	5010			3320*	3320*	6984
4.5m (14.9ft)			6870*	6870*	6070*	4860	4120*	3420	3300*	3270	7694
3.0m (9.10ft)	13270*	12630	8620*	6960	6860*	4610	5310	3320	3430*	2960	8065
1.5m (4.11ft)	6990*	6990*	10290*	6430	7180	4360	5170	3190	3710*	2830	8145
0m	8570*	8570*	10790	6090	6960	4160	5060	3090	4220*	2860	7942
- 1.5m (- 4.11ft)	12600*	10880	10620	5950	6840	4060			5070	3080	7433
- 3.0m (- 9.10ft)	14500*	11000	10290*	5970	6850	4070			6070	3650	6545
- 4.5m (- 14.9ft)			7870*	6150					6750*	5230	5082


**Notes:**

- For lifting capacity including bucket, subtract total weight of bucket or bucket and quickhitch from above values.
- Lifting capacities are based on ISO 10567, that is: 75% of minimum tipping load or 87% of hydraulic lift capacity, whichever is the less. Lifting capacities marked\* are based on hydraulic capacity.
- Lift capacities assume that the machine is on firm, level ground.
- Lift capacities may be limited by local regulations. Please refer to your dealer.

**LIFT CAPACITIES – Dipper length: 1.9m, T.A. Boom 5.7m, Trackshoes: 600mm, No bucket.**
**JS220 SC T.A.B.**

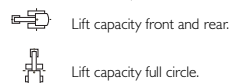
Reach	3m (9ft 10in)		4.5m (14ft 9in)		6m (19ft 8in)		7.5m (24ft 7in)		Max. Reach		Max. Reach
Load Point Ht.	kg	kg	kg	kg	kg	kg	kg	kg	kg	kg	mm
7.5m (24.7ft)									6350*	6350*	4193
6.0m (19.8ft)			7250*	7250*					5890*	5710	5175
4.5m (14.9ft)	11970*	11970*	8350*	7980	7030*	5190			5960*	4510	6565
3.0m (9.10ft)			9980*	7420	7410	4980			5870	3990	6998
1.5m (4.11ft)			11060	6990	7180	4770			5640	3800	7089
0m			10850	6800	7040	4640			5830	3900	6855
- 1.5m (- 4.11ft)	13950*	12840	10660*	6790	7010	4620			6620	4380	6256
- 3.0m (- 9.10ft)			8840*	6930					7590*	5750	5167

**LIFT CAPACITIES – Dipper length: 2.4m, T.A. Boom 5.7m, Trackshoes: 600mm, No bucket.**
**JS220 SC T.A.B.**

Reach	3m (9ft 10in)		4.5m (14ft 9in)		6m (19ft 8in)		7.5m (24ft 7in)		Max. Reach		Max. Reach
Load Point Ht.	kg	kg	kg	kg	kg	kg	kg	kg	kg	kg	mm
7.5m (24.7ft)									5300*	5300*	5080
6.0m (19.8ft)			6580*	6580*	6250*	5390			4890*	4850	6391
4.5m (14.9ft)	10330*	10330*	7710*	7710*	6600*	5260			4850*	3990	7160
3.0m (9.10ft)			9400*	7580	7320*	5040	5320	3630	5040*	3580	7558
1.5m (4.11ft)			10830*	7090	7220	4810	5220	3530	5070	3430	7643
0m	6700*	6700*	10890	6830	7040	4640			5210	3500	7426
- 1.5m (- 4.11ft)	13480*	12720	10810	6760	6970	4580			5760	3850	6879
- 3.0m (- 9.10ft)	13060*	12920	9630*	6840					7040*	4750	5907

**LIFT CAPACITIES – Dipper length: 3.0m, T.A. Boom 5.7m, Trackshoes: 600mm, No bucket.**
**JS220 SC T.A.B.**

Reach	3m (9ft 10in)		4.5m (14ft 9in)		6m (19ft 8in)		7.5m (24ft 7in)		Max. Reach		Max. Reach
Load Point Ht.	kg	kg	kg	kg	kg	kg	kg	kg	kg	kg	mm
7.5m (24.7ft)									3530*	3530*	5811
6.0m (19.8ft)					5440*	5440*			3320*	3320*	6984
4.5m (14.9ft)			6870*	6870*	6070*	5360	4120*	3780	3300*	3300*	7694
3.0m (9.10ft)	13270*	13270*	8620*	7760	6860*	5110	5380	3670	3430*	3280	8065
1.5m (4.11ft)	6990*	6990*	10290*	7210	7280	4850	5240	3550	3710*	3140	8145
0m	8570*	8570*	10930	6860	7050	4650	5130	3440	4220*	3180	7942
- 1.5m (- 4.11ft)	12600*	12570	10760	6720	6940	4540			5140	3440	7433
- 3.0m (- 9.10ft)	14500*	12710	10290*	6740	6950	4550			6150	4080	6545
- 4.5m (- 14.9ft)			7870*	6930					6750*	5870	5082


**Notes:**

- For lifting capacity including bucket, subtract total weight of bucket or bucket and quickhitch from above values.
- Lifting capacities are based on ISO 10567, that is: 75% of minimum tipping load or 87% of hydraulic lift capacity, whichever is the less. Lifting capacities marked\* are based on hydraulic capacity.
- Lift capacities assume that the machine is on firm, level ground.
- Lift capacities may be limited by local regulations. Please refer to your dealer.

**LIFT CAPACITIES – Dipper length: 1.9m, T.A. Boom 5.7m, Trackshoes: 700mm, No bucket.**
**JS220 LC T.A.B.**

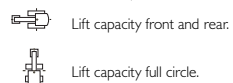
Reach	3m (9ft 10in)		4.5m (14ft 9in)		6m (19ft 8in)		7.5m (24ft 7in)		Max. Reach		Max. Reach
Load Point Ht.	kg	kg	kg	kg	kg	kg	kg	kg	kg	kg	mm
7.5m (24.7ft)									6350*	6350*	4193
6.0m (19.8ft)			7250*	7250*					5890*	5890*	5715
4.5m (14.9ft)	11970*	11970*	8350*	8350*	7030*	5750			5960*	5000	6565
3.0m (9.10ft)			9980*	8310	7650*	5530			6360*	4430	6998
1.5m (4.11ft)			11160*	7860	8210	5320			6410	4240	7089
0m			11340*	7670	8060	5190			6650	4350	6855
- 1.5m (- 4.11ft)	13950*	13950*	10660*	7660	7960*	5170			7550	4900	6256
- 3.0m (- 9.10ft)			8840*	7800					7590*	6440	5167

**LIFT CAPACITIES – Dipper length: 2.4m, T.A. Boom 5.7m, Trackshoes: 700mm, No bucket.**
**JS220 LC T.A.B.**

Reach	3m (9ft 10in)		4.5m (14ft 9in)		6m (19ft 8in)		7.5m (24ft 7in)		Max. Reach		Max. Reach
Load Point Ht.	kg	kg	kg	kg	kg	kg	kg	kg	kg	kg	mm
7.5m (24.7ft)									5300*	5300*	5080
6.0m (19.8ft)			6580*	6580*	6250*	5950			4890*	4890*	6391
4.5m (14.9ft)	10330*	10330*	7710*	7710*	6600*	5820			4850*	4420	7160
3.0m (9.10ft)			9400*	8470	7320*	5590	5520*	4030	5040*	3980	7558
1.5m (4.11ft)			10830*	7970	8020*	5360	5920	3930	5490*	3820	7643
0m	6700*	6700*	11360*	7700	8060	5190			5920	3910	7426
- 1.5m (- 4.11ft)	13480*	13480*	11000*	7630	7990	5130			6570	4290	6879
- 3.0m (- 9.10ft)	13060*	13060*	9630*	7710					7040*	5310	5907

**LIFT CAPACITIES – Dipper length: 3.0m, T.A. Boom 5.7m, Trackshoes: 700mm, No bucket.**
**JS220 LC T.A.B.**

Reach	3m (9ft 10in)		4.5m (14ft 9in)		6m (19ft 8in)		7.5m (24ft 7in)		Max. Reach		Max. Reach
Load Point Ht.	kg	kg	kg	kg	kg	kg	kg	kg	kg	kg	mm
7.5m (24.7ft)									3530*	3530*	5811
6.0m (19.8ft)					5440*	5440*			3320*	3320*	6984
4.5m (14.9ft)			6870*	6870*	6070*	5920	4120*	4120*	3300*	3300*	7694
3.0m (9.10ft)	13270*	13270*	8620*	8620*	6860*	5670	5780*	4080	3430*	3430*	8065
1.5m (4.11ft)	6990*	6990*	10290*	8090	7680*	5400	5940	3950	3710*	3500	8145
0m	8570*	8570*	11190*	7740	8080	5200	5830	3840	4220*	3550	7942
- 1.5m (- 4.11ft)	12600*	12600*	11200*	7590	7950	5090			5160*	3840	7433
- 3.0m (- 9.10ft)	14500*	14500*	10290*	7610	7600*	5100			6730*	4560	6545
- 4.5m (- 14.9ft)			7870*	7800					6750*	6580	5082


**Notes:**

- For lifting capacity including bucket, subtract total weight of bucket or bucket and quickhitch from above values.
- Lifting capacities are based on ISO 10567, that is: 75% of minimum tipping load or 87% of hydraulic lift capacity, whichever is the less. Lifting capacities marked\* are based on hydraulic capacity.
- Lift capacities assume that the machine is on firm, level ground.
- Lift capacities may be limited by local regulations. Please refer to your dealer.

## A GLOBAL COMMITMENT TO QUALITY

JCB's total commitment to its products and customers has helped it grow from a one-man business into Britain's largest privately owned manufacturer of backhoe loaders, crawler excavators, wheeled excavators, telescopic handlers, wheeled loaders, dump trucks, rough terrain fork lifts, industrial fork lifts, mini/midi excavators, skid steer loaders, tractors and compaction equipment.

By making constant and massive investments in the latest production technology, the JCB factories have become some of the most advanced in the world.

By leading the field in innovative research and design, extensive testing and stringent quality control, JCB machines have become renowned all over the world for performance, value and reliability.

And with a global sales and service network of more than 650 dealers and agents, we aim to deliver the best customer support in the industry.

Through setting the standards by which others are judged, JCB has become one of the world's most impressive success stories.

